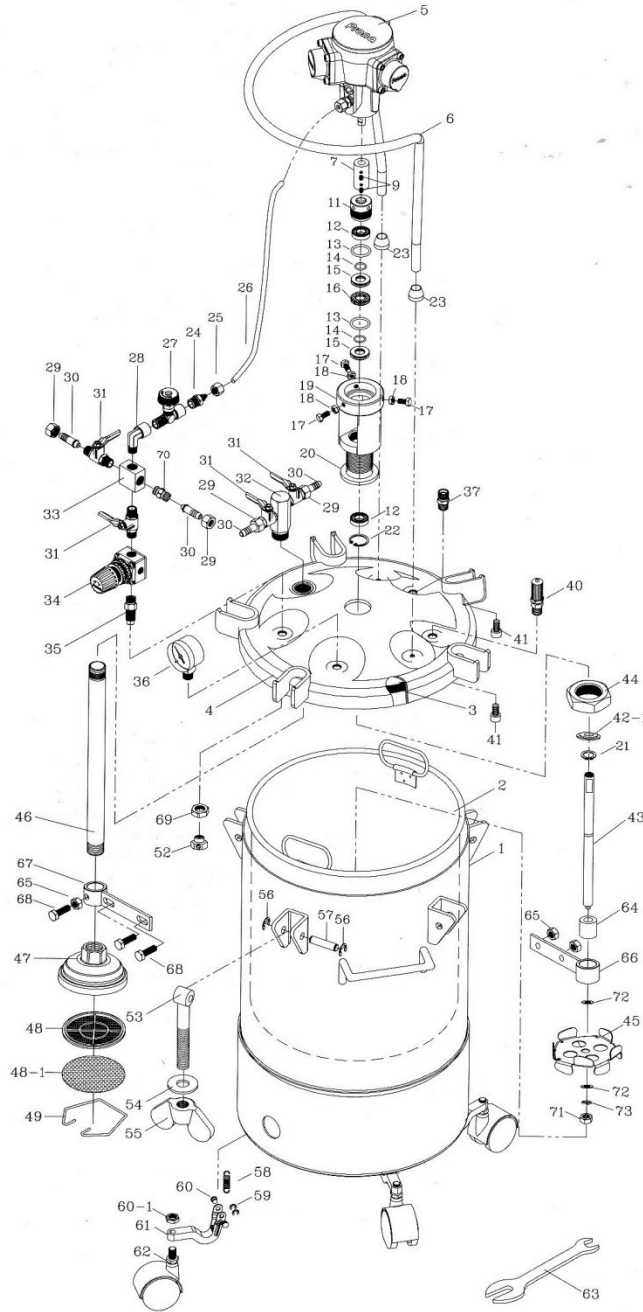


G

RT-20A/RT-40A/RT-60A 自動壓力桶分解圖

Sketch For The RT-20A/RT-40A/RT-60A Automatic Pressure Tank



NO.	名稱	DESCRIPTION	Q'TY
1	塗料桶	Outer tank	1
2	塗料內桶	Material tank	1
3	氣密墊	Gasket	1
4	桶蓋	Tank cover	1
5	氣動馬達	Air motor	1
6	護圈	Annular guard	1
7	馬達連接器	Motor connector packing	1
9	連接器固定螺絲	Connector fixing screw	2
11	固定座螺絲	Fixing bolt	1
12	軸承	Bearing	2
13	追緊O型圈(外)	O-ring packing outside	2
14	追緊O型圈(內)	O-ring packing inside	2
15	追緊壓塊	Packing holder	2
16	四氟盤根	PTFE Packing	1
17	馬達固定螺絲	Motor fixing screw	3
18	馬達固定螺母	Fixing screw nut	3
19	馬達座	Motor base	1
20	馬達固定墊片	Motor fixing washer	1
21	扣環	Locking ring	1
22	C型扣環	C locking ring	1
23	護圈座	Annular guard base	2
24	馬達空氣接頭	Air motor connector	1
25	馬達空氣接頭發帽	Air motor nut	1
26	風管	Air hose	1
27	風量調整閥	Air adjusting valve	1
28	彎管	Elbow pipe	1
29	接帽	Pipe connector nut	4
30	管接頭	Pipe connector	4
31	拷克	Cock	4
32	塗料接頭	Fluid connector	1
33	四通	Four-way block	1
34	空氣減壓閥組	Air regulator set	1
35	接頭	Connector	1
36	壓力表	Pressure gauge	1
37	泄壓閥組	Release valve set	1
40	安全閥組	Safety valve set	1
41	護圈固定螺絲	Guard base screw	2
42-1	馬達座封口	Air motor seat seal	1
43	自動攪拌桿	Automatic agitating rod	1
44	馬達座螺母	Motor base nut	1
45	攪拌桿葉片	Agitating rod propeller	1
46	吸上管	Fluid suction up tube	1
47	吸上管蓋	Fluid suction up tube cover	1
48	過濾網	Material filter	1
48-1	過濾網1	Material filter 1	1
49	卡簧	Snap ring	1
52	導流螺帽	Air flow guider nut	1
53	桶蓋鎖緊螺絲	Tank cover bolt	5
54	桶蓋螺帽華司	Tank cover nut washer	5
55	桶蓋蝶形螺帽	Tank cover butterfly nut	5
56	E9型扣環	E9 locking ring	10
57	橫銷	Cotter	5
58	拉力彈簧	Pulling spring	3
59	E4型扣環	E4 locking ring	6
60	止軸	Stopping axis	6
60-1	活動輪螺帽	Moving wheel nut	3
61	活動座	Moving wheel base	3
62	活動輪	Moving wheel	3
63	扳手	Spanner	1
64	內固定追緊	Inner fixing packing	1
65	固定桿螺母	Fixing rod nut	3
66	固定桿1	Fixing rod 1	1
67	固定桿2	Fixing rod 2	1
68	固定桿螺絲	Fixing screw	3
69	逆止閥接頭螺帽	Check valve connector nut	1
70	空氣接頭	Air connector	1
71	固定螺母	Fixing rod nut	1
72	墊片	Gasket	2
73	彈簧墊圈	Spring gasket	1